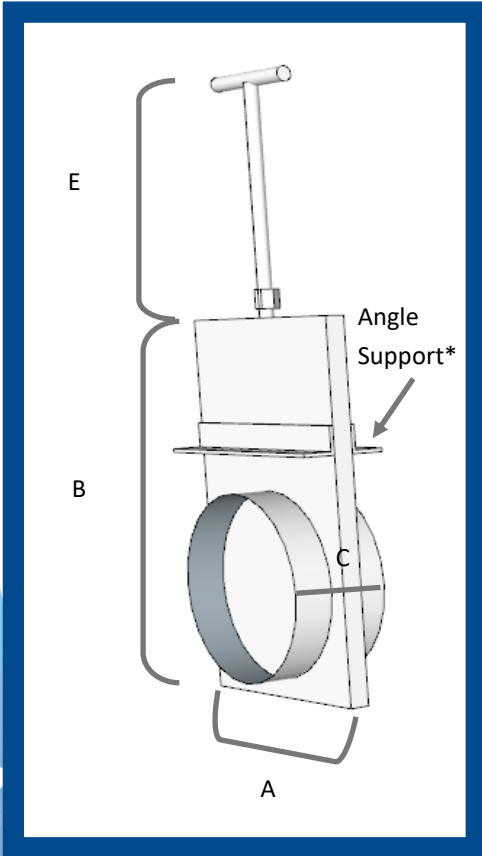


# BLAST GATE-MANUAL

## AIR TIGHT MANUAL BLAST GATES

US Duct's manual blast gates are air-tight, fully welded and sealed to prevent leaking to the outside atmosphere. The gates are available in stainless steel (304, 316) and galvanized metal. Available in all connection types: Rolled Lip, US Tubing, Raw End. Flanged. Ideal for high moisture systems. Leak free to the atmosphere (not across the blade).



DIA"	A	B	C	E	GAUGE
3	3 13/16	7 15/16	6 1/2	6 1/2	16
4	4 3/4	9 1/2	6 1/2	7 1/2	16
5	5 7/8	12 15/16	6 1/2	8 1/2	16
6	7 1/8	13 3/4	6 1/2	9 1/2	16
7	7 15/16	16 1/8	6 1/2	10 1/2	16
8	9 3/16	18 1/4	6 1/2	11 1/2	16
9	10 3/8	20 7/16	6 1/2	12 1/2	16
10	11 3/8	22	6 1/2	13 1/2	16
11	12 3/8	24 1/8	6 1/2	14 1/2	16
12	13 7/16	26 1/8	6 1/2	15 1/2	16
13	14 7/16	28 3/8	6 1/2	16 1/2	14
14	15 3/8	30 1/2	6 1/2	17 1/2	14
15	16 5/8	32 3/4	6 1/2	18 1/2	14
16	17 3/8	34 1/2	6 1/2	19 1/2	14
17	18 7/16	36 5/8	6 1/2	20 1/2	14
18	19 9/16	38 13/16	6 1/2	21 1/2	14
19	20 9/16	40 5/8	6 1/2	22 1/2	14
20	21 9/16	42 7/16	6 1/2	23 1/2	14
22	23 1/2	46 3/4	6 1/2	25 1/2	14
24	25 1/2	51 3/4	6 1/2	17 1/2	14

\*NOTE: Lateral angle support only on diameters 10" and above.

