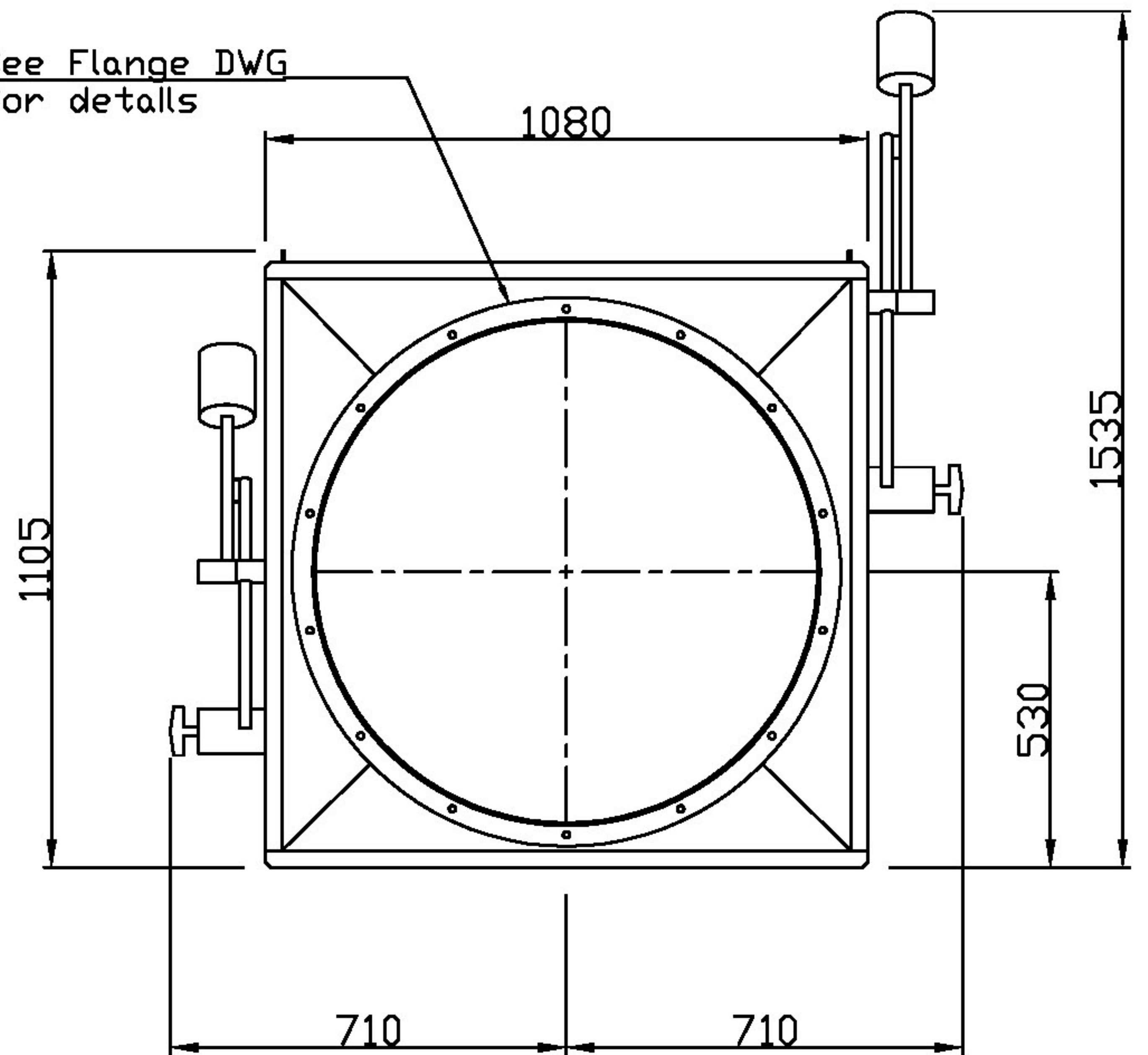


See Flange DWG
for details



DN900



CLIENT :

INSTALLATION :

SCALE : NIHIL SIZE: A4

	NAME	DATE
DESIGN	JLA	20/04/13
DRAWING	RDO	20/04/13
CHECK		
APPROVED		

PROJ. No:

DRAW. No:

Page : 1

Of : 1

FILE : 217-xxxx-00y REV.: 0