



THE COMPLETE DUCT SOURCE
Quality—Delivery—Service—Design—Price

Oil Mist Solutions



Oil Mist Accumulator
in Vertical



Oil Mist Accumulator
in Horizontal

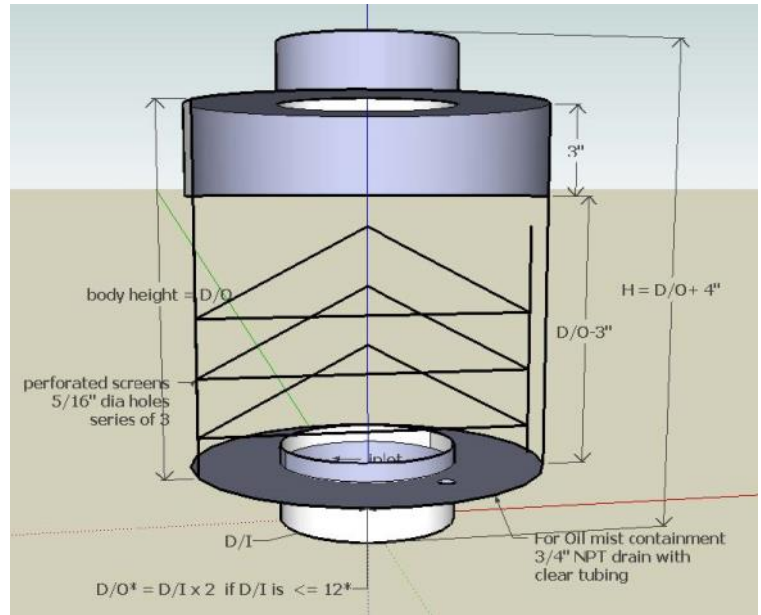


Oil Mist Curb



Inner Core

**Recommended
Velocity:**
2,000-3,500
feet-per-minute



US Duct offers several specialty products designed specifically for unique issues with oil mist applications.

The OIL MIST ACCUMULATOR is a product designed to address problems that arise with today's high speed, effluent intensive grinding/milling machines. Because of the high volume in closed cabinets, many collections system end up sucking up more effluent than grindings. These units provide an enlarged chamber to slow the material down and a series of cones that helps the mist condense/agglomerate. The excess then rips off the cones and collects in the sump where it is rained directly back to the machine.

The OIL MIST CURB address the problem of leaks on top of machines when flex hose is used. You simply CANNOT stop these leaks. The curb simply collects the effluent as it leaks in the curb/trough which is welded around the unit. The captured liquid then "weeps" back into the machine through tiny 1/8 in. holes drill into the side of the collar at the base of the curb.