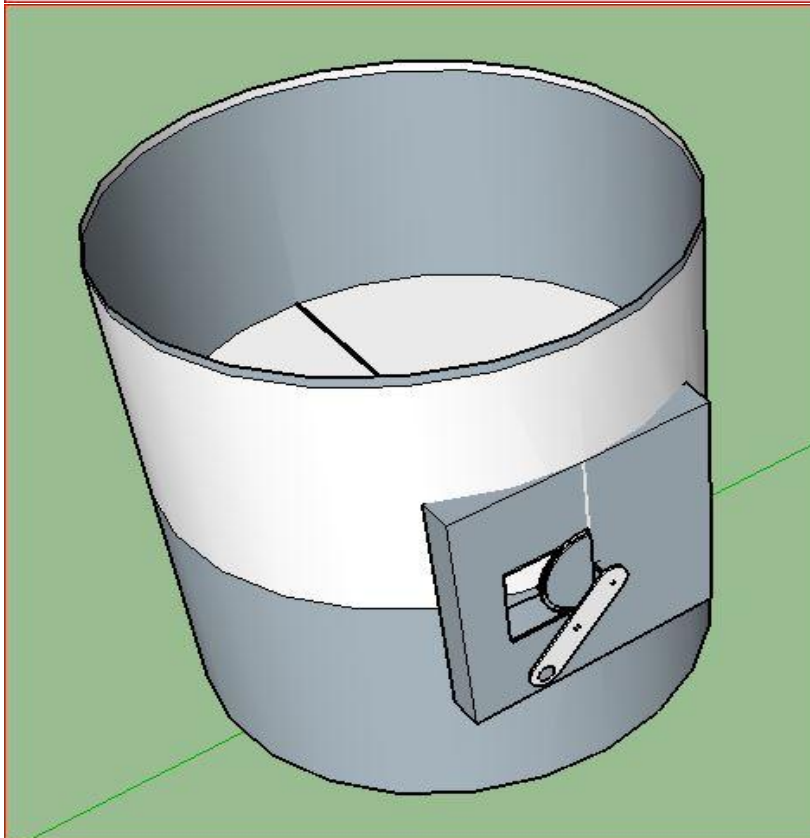


# Butterfly Damper

Diameter	Gauge	Length	Material
16"	18	16"	Glv

Standard Blade is 14ga

US Duct Butterfly Dampers can be built to meet the requirements of any application.



Options that need to be specified					Custom
Half Moon Stops					
Gauge					
Shaft Bearings					
Connection type	Raw Ends	Rolled Lip	Flanged	Hose	
Material	Galvanized Steel	Carbon Steel	SS304	316L SS	

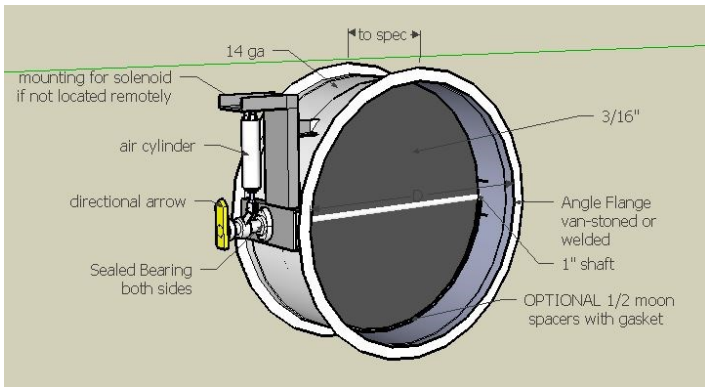
Part Number	DIA	DESCRIPTION	End/FL	MAT	GA
BF03CT.G18	3"	Butter Fly Valve	R	Glv	18
BF04CT.G18	4"	Butter Fly Valve	R	Glv	18
BF05CT.G18	5"	Butter Fly Valve	R	Glv	18
BF06CT.G18	6"	Butter Fly Valve	R	Glv	18
BF07CT.G18	7"	Butter Fly Valve	R	Glv	18
BF08CT.G18	8"	Butter Fly Valve	R	Glv	18
BF09CT.G18	9"	Butter Fly Valve	R	Glv	18
BF10CT.G18	10"	Butter Fly Valve	R	Glv	18
BF11CT.G18	11"	Butter Fly Valve	R	Glv	18
BF12CT.G18	12"	Butter Fly Valve	R	Glv	18
BF13CT.G18	13"	Butter Fly Valve	R	Glv	18
BF14CT.G18	14"	Butter Fly Valve	R	Glv	18
BF15CT.G18	15"	Butter Fly Valve	R	Glv	18
BF16CT.G18	16"	Butter Fly Valve	R	Glv	18
BF17CT.G18	17"	Butter Fly Valve	R	Glv	18
BF18CT.G18	18"	Butter Fly Valve	R	Glv	18
BF19CT.G18	19"	Butter Fly Valve	R	Glv	18
BF20CT.G18	20"	Butter Fly Valve	R	Glv	18
BF22CT.G18	22"	Butter Fly Valve	R	Glv	18
BF24CT.G18	24"	Butter Fly Valve	R	Glv	18



**THE COMPLETE DUCT SOURCE**  
 Quality—Delivery—Service—Design—Price

**US Duct—Automatic Butterfly**

US Duct Automatic Butterfly Valves are pneumatically operated and electrically controlled. The pneumatic cylinder requires 90 psi to operate but uses very little volume. Dual solenoids activate the cylinder. The solenoids are activated by virtually any electrical signal—12/24 V, AC/DC, or 110/220 line voltage. These solenoids operate off of milliamps and therefore require only minimal wiring. The valve is powered in both directions to open and close the 3/16" steel flaps. Optional 1/2 moon spacers with gaskets for a tighter seal are available.



DIA.	LENGTH	HOUSING GAUGE	BLADE GAUGE	LBS.
8"	12"	16	10	18
10"	12"	16	10	2
12"	12"	16	10	24
14"	12"	16	10	30
16"	12"	16	10	35
18"	12"	16	10	40
20"	12"	16	3/16"	45
22"	12"	16	3/16"	50
24"	12"	16	3/16"	55
34"	12"	16	3/16"	80

Standard angle ring flanges are furnished on both ends.

