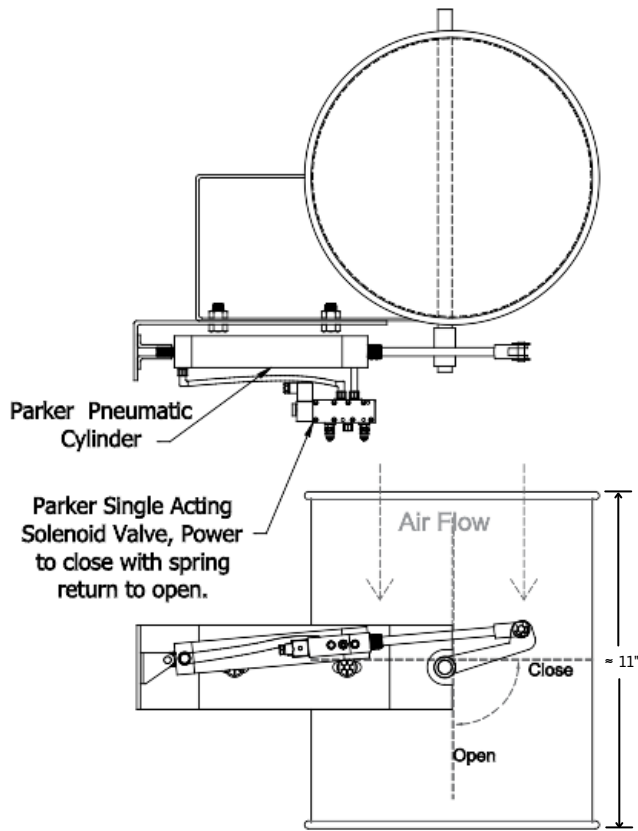




Automatic Butterfly

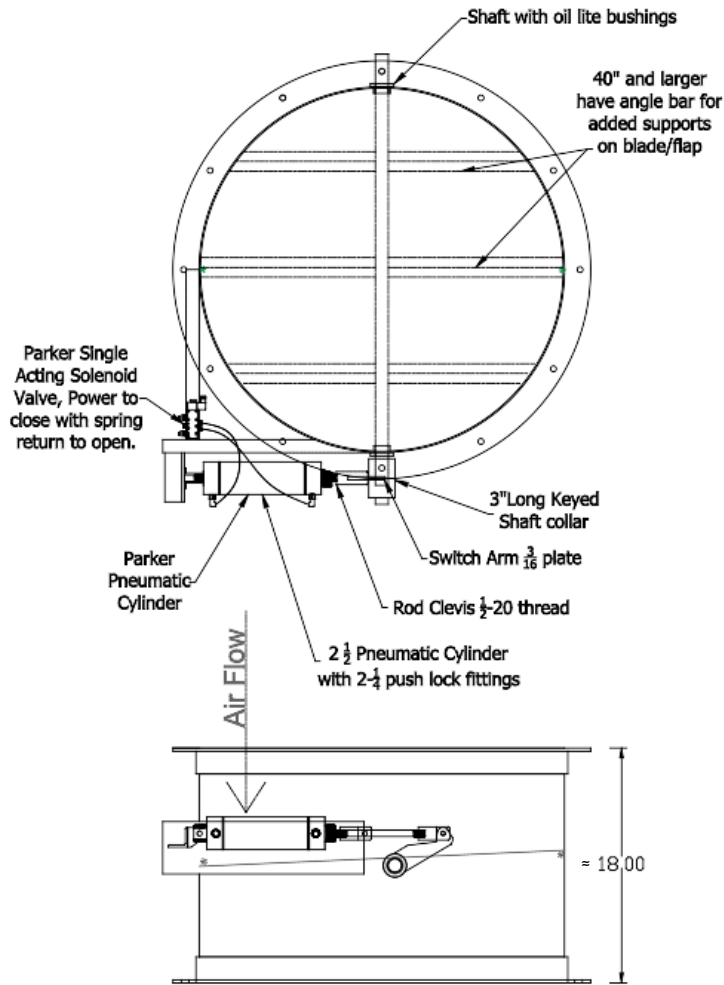
US Duct's Automatic Butterfly Valves are pneumatically operated and electrically controlled. The pneumatic cylinder requires 90 psi to operate but uses very little volume. A single-acting solenoid activates the cylinder. The solenoid is activated by virtually any electrical signal-12/24 V, AC/DC, or 110/220 line voltage. These solenoids operate off of milliamps and therefore require minimal wiring. The valve is powered to close and spring return to open the 14Ga steel flap, 3/16 on larger sizes.



Added optional 1/2 moon spacers with gaskets for a tighter seal are available on 6" and larger.

Standard with Rolled Lip available with Vanstone Lip and Angle Rings. Galvanized, Stainless Steel and Carbon Steel. 3-24" Butterfly's are around 11" long and 18" on larger sizes

Ø	Blade Gauge	Rolled Lip PN.	Flanged PN.	Cylinder Size and Stroke	Shaft Size
3"	14	RBFA03CT.G18	FBFA03CT.G18	1.06 x 3"	1/2
4"	14	RBFA04CT.G18	FBFA04CT.G18	1.06 x 3"	1/2
5"	14	RBFA05CT.G18	FBFA05CT.G18	1.06 x 3"	1/2
6"	14	RBFA06CT.G18	FBFA06CT.G18	1.06 x 3"	1/2
7"	14	RBFA07CT.G18	FBFA07CT.G18	1.06 x 6"	1/2
8"	14	RBFA08CT.G18	FBFA08CT.G18	1.06 x 6"	1/2
9"	14	RBFA09CT.G18	FBFA09CT.G18	1.06 x 6"	1/2
10"	14	RBFA10CT.G18	FBFA10CT.G18	1.06 x 6"	1/2
11"	14	RBFA11CT.G18	FBFA11CT.G18	1.06 x 6"	1/2
12"	14	RBFA12CT.G18	FBFA12CT.G18	1.06 x 6"	1/2
13"	14	RBFA13CT.G18	FBFA13CT.G18	1.06 x 6"	1/2
14"	14	RBFA14CT.G18	FBFA14CT.G18	1.06 x 6"	1/2
15"	14	RBFA15CT.G18	FBFA15CT.G18	1.06 x 6"	1/2
16"	14	RBFA16CT.G18	FBFA16CT.G18	1.06 x 6"	1/2
17"	14	RBFA17CT.G18	FBFA17CT.G18	1.06 x 6"	1/2
18"	14	RBFA18CT.G18	FBFA18CT.G18	2.5 x 6"	1"
19"	14	RBFA19CT.G18	FBFA19CT.G18	2.5 x 6"	1"
20"	14	RBFA20CT.G18	FBFA20CT.G18	2.5 x 6"	1"
22"	14	RBFA22CT.G18	FBFA22CT.G18	2.5 x 6"	1"
24"	14	RBFA24CT.G18	FBFA24CT.G18	2.5 x 6"	1"



Ø	Blade Thickness	Flanged PN.	Cylinder Size and Stroke	Shaft Size
26"	3/16	FBFA26CT.G16	2.5 x 6"	1"
28"	3/16	FBFA28CT.G16	2.5 x 6"	1"
30"	3/16	FBFA30CT.G16	2.5 x 6"	1"
32"	3/16	FBFA32CT.G16	2.5 x 6"	1"
34"	3/16	FBFA34CT.G16	2.5 x 6"	1"
36"	3/16	FBFA36CT.G16	2.5 x 6"	1"
38"	3/16	FBFA38CT.G16	2.5 x 6"	1"
40"	3/16	FBFA40CT.G16	2.5 x 6"	1"
42"	3/16	FBFA42CT.G14	2.5 x 6"	1"
44"	3/16	FBFA44CT.G14	2.5 x 6"	1"
46"	3/16	FBFA46CT.G14	2.5 x 6"	1"
48"	3/16	FBFA48CT.G14	2.5 x 6"	1"
50"	3/16	FBFA50CT.G14	2.5 x 6"	1 1/2 "
52"	3/16	FBFA52CT.G14	2.5 x 6"	1 1/2 "
54"	3/16	FBFA54CT.G14	2.5 x 6"	1 1/2 "
56"	3/16	FBFA56CT.G14	2.5 x 6"	1 1/2 "
58"	3/16	FBFA58CT.G14	2.5 x 6"	1 1/2 "
60"	3/16	FBFA60CT.G14	2.5 x 6"	1 1/2 "
62"	3/16	FBFA62CT.G14	2.5 x 6"	1 1/2 "
64"	3/16	FBFA64CT.G14	2.5 x 6"	1 1/2 "