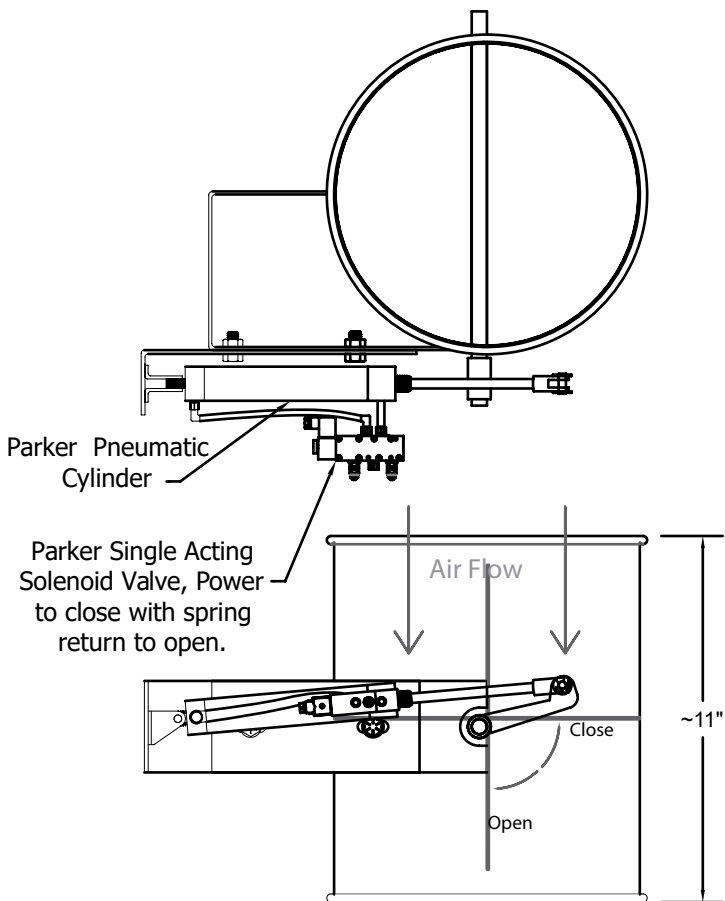
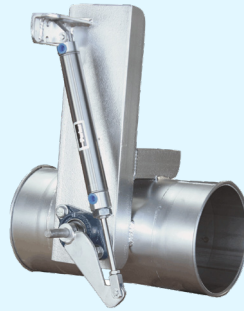




Automatic Butterfly

- Standard with Rolled Lip, also available in Vanstone Lips and Angle Rings
- Material Types: Galvanized, Stainless Steel, Carbon Steel
- 3-24" Butterfly's are around 11' long and 18" on larger sizes

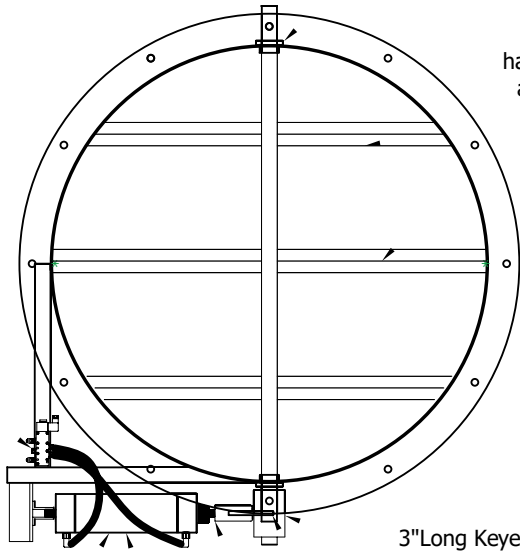


Ø	Blade Gauge	Cylinder Size and Stroke	Shaft Size
3"	14	1.06 x 3"	1/2
4"	14	1.06 x 3"	1/2
5"	14	1.06 x 3"	1/2
6"	14	1.06 x 3"	1/2
7"	14	1.06 x 6"	1/2
8"	14	1.06 x 6"	1/2
9"	14	1.06 x 6"	1/2
10"	14	1.06 x 6"	1/2
11"	14	1.06 x 6"	1/2
12"	14	1.06 x 6"	1/2
13"	14	1.06 x 6"	1/2
14"	14	1.06 x 6"	1/2
15"	14	1.06 x 6"	1/2
16"	14	1.06 x 6"	1/2
17"	14	1.06 x 6"	1/2
18"	14	2.5 x 6"	1"
19"	14	2.5 x 6"	1"
20"	14	2.5 x 6"	1"
22"	14	2.5 x 6"	1"
24"	14	2.5 x 6"	1"

Shaft with oil lite bushings

40" and larger
have angle bar for
added supports
on blade/flap

Parker Single
Acting Solenoid
Valve, Power to
close with spring
return to open.



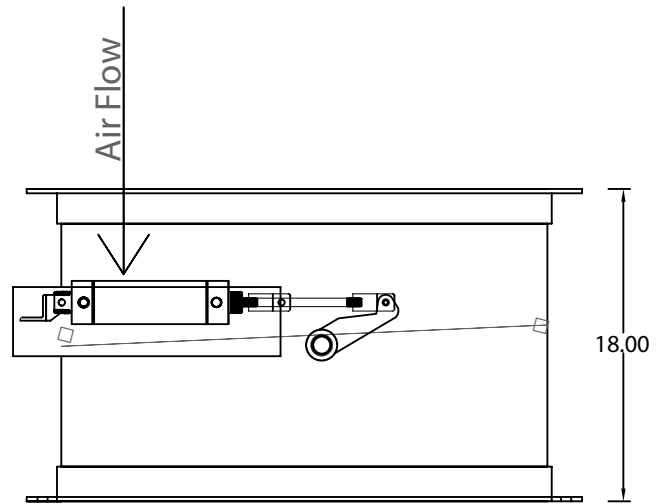
Parker
Pneumatic
Cylinder

3" Long Keyed
Shaft collar

Switch Arm $\frac{3}{16}$ plate

Rod Clevis $\frac{1}{2}$ -20 thread

2 $\frac{1}{2}$ Pneumatic Cylinder
with 2 $\frac{1}{4}$ push lock fittings



Ø	Blade Thickness	Flanged PN.	Cylinder Size and Stroke	Shaft Size
26"	3/16	FBFA26CT.G16	2.5 x 6"	1"
28"	3/16	FBFA28CT.G16	2.5 x 6"	1"
30"	3/16	FBFA30CT.G16	2.5 x 6"	1"
32"	3/16	FBFA32CT.G16	2.5 x 6"	1"
34"	3/16	FBFA34CT.G16	2.5 x 6"	1"
36"	3/16	FBFA36CT.G16	2.5 x 6"	1"
38"	3/16	FBFA38CT.G16	2.5 x 6"	1"
40"	3/16	FBFA40CT.G16	2.5 x 6"	1"
42"	3/16	FBFA42CT.G14	2.5 x 6"	1"
44"	3/16	FBFA44CT.G14	2.5 x 6"	1"
46"	3/16	FBFA46CT.G14	2.5 x 6"	1"
48"	3/16	FBFA48CT.G14	2.5 x 6"	1"
50"	3/16	FBFA50CT.G14	2.5 x 6"	1 1/2 "
52"	3/16	FBFA52CT.G14	2.5 x 6"	1 1/2 "
54"	3/16	FBFA54CT.G14	2.5 x 6"	1 1/2 "
56"	3/16	FBFA56CT.G14	2.5 x 6"	1 1/2 "
58"	3/16	FBFA58CT.G14	2.5 x 6"	1 1/2 "
60"	3/16	FBFA60CT.G14	2.5 x 6"	1 1/2 "
62"	3/16	FBFA62CT.G14	2.5 x 6"	1 1/2 "
64"	3/16	FBFA64CT.G14	2.5 x 6"	1 1/2 "