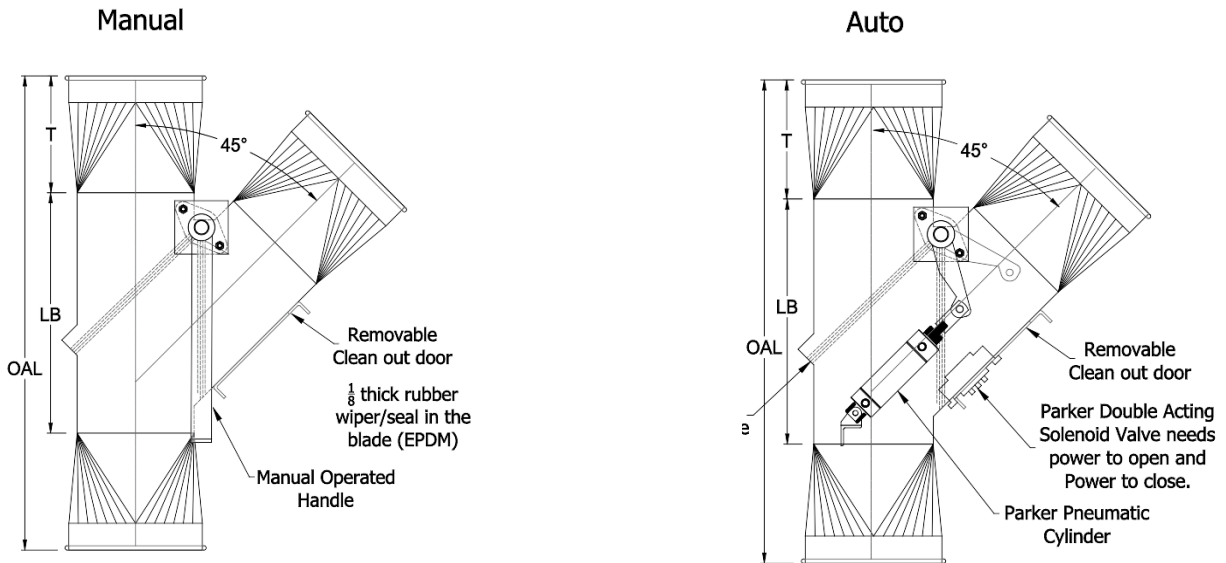




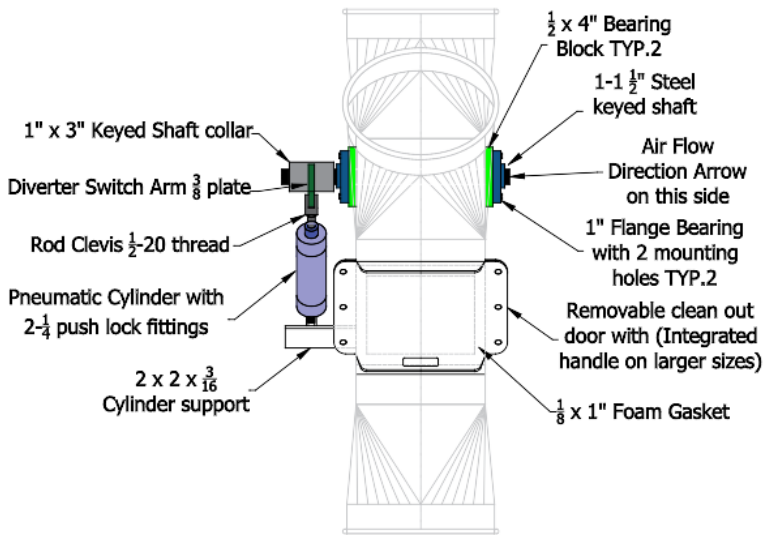
Diverter Valves

Diverter valves are a highly efficient and economical way to divert material or air between two different location. The valves are available in manual or automatic. Automatic diverter valves are pneumatically operated and electrically controlled. The pneumatic cylinder requires 90 psi operate. A solenoid to activates the cylinder, using very little volume.



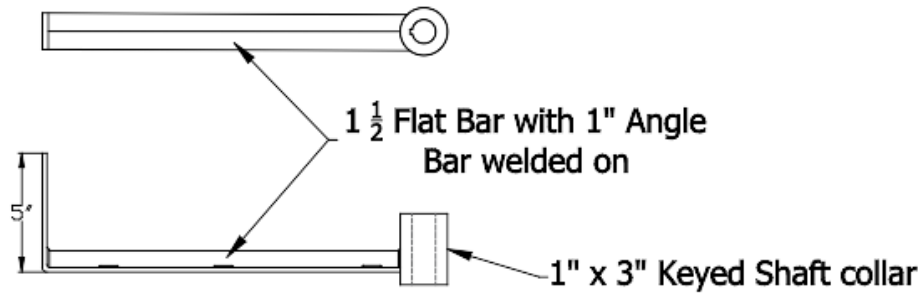
Standard with Rolled Lip and available with Vanstone Lip and Angle Rings and available with Limit Switches as a adder.

Size ø	Trz.	L-Body	OAL	RL Manual	RL Auto
4	7	10.5	24.5	SDV04.G	SDVA04.G
5	7	12	26	SDV05.G	SDVA05.G
6	7	13	27	SDV06.G	SDVA06.G
7	7	14.5	28.5	SDV07.G	SDVA07.G
8	7	15.5	29.5	SDV08.G	SDVA08.G
9	7	17	31	SDV09.G	SDVA09.G
10	9	18	36	SDV10.G	SDVA10.G
11	9	19.5	37.5	SDV11.G	SDVA11.G
12	9	23	41	SDV12.G	SDVA12.G
13	9	24	42	SDV13.G	SDVA13.G
14	9	25.5	43.5	SDV14.G	SDVA14.G
15	9	26.5	44.5	SDV15.G	SDVA15.G
16	9	28	46	SDV16.G	SDVA16.G
17	9	29	47	SDV17.G	SDVA17.G
18	9	30	48	SDV18.G	SDVA18.G
19	12	31.5	55.5	SDV19.G	SDVA19.G
20	12	32.5	56.5	SDV20.G	SDVA20.G
22	12	35	59	SDV22.G	SDVA22.G
24	12	37.75	61.75	SDV24.G	SDVA24.G



Size \varnothing	Trz.	L-Body	OAL	RL Manual	RL Auto
26	18	42	78	SDV26.G	SDVA26.G
28	18	44.5	80.5	SDV28.G	SDVA28.G
30	18	46.5	82.5	SDV30.G	SDVA30.G
32	18	49.5	85.5	SDV32.G	SDVA32.G
34	20	52	92		
36	20	55	95		
38	20	57	97		
40	20	59.5	99.5		

Manual Arm



Diverter Size	Cylinder Dim.	Cylinder Stroke
4-6"	1 1/2"	3"
7-10"	2 1/2"	3"
11-24"	2 1/2"	6"