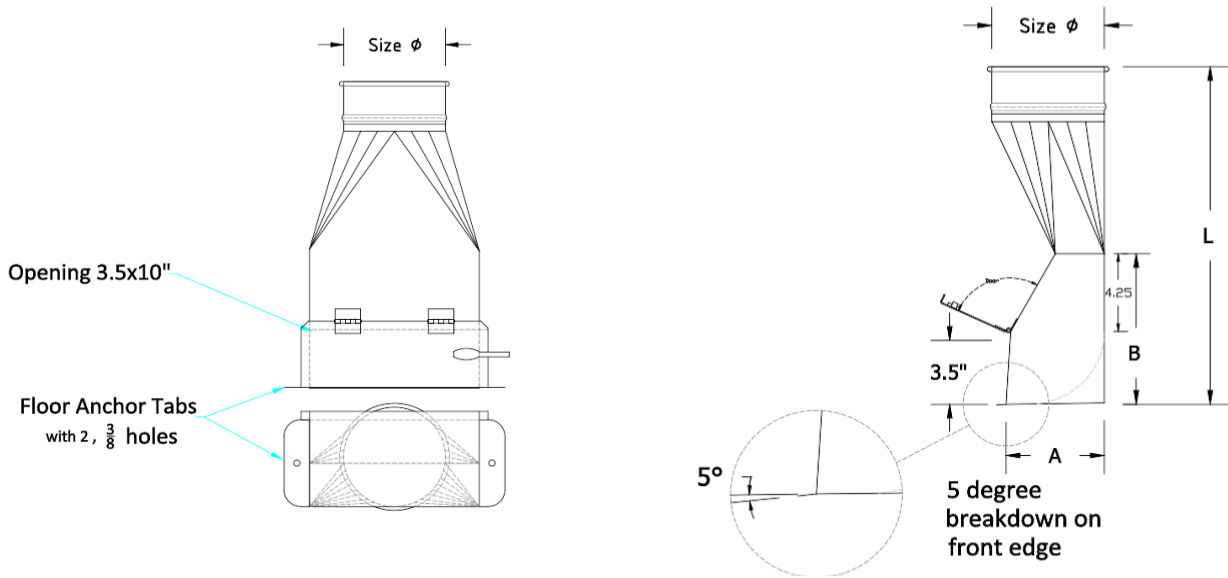




Floor Sweep

US Duct's Floor Sweep's are used to remove debris from the shop floor where clean up is needed. The double hinged door is held closed by the vacuum of the system and when opened, allows for debris to enter the system. Our floor sweeps come standard with rolled-lip ends that attach easily to our clamp together duct system. Flanged and US Tubing connection ends are also available.



Size ϕ	Opening	A	B	L	Rolled Lip PN	Ang.Flange PN
3	3.5 x 10"	5.25	8.25	18.5	RFS03.G18	FFS03.G18
4	3.5 x 10"	5.25	8.25	18.5	RFS04.G18	FFS04.G18
5	3.5 x 10"	5.25	8.25	18.5	RFS05.G18	FFS05.G18
6	3.5 x 10"	5.25	8.25	18.5	RFS06.G18	FFS06.G18
7	3.5 x 10"	5.25	8.25	18.5	RFS07.G18	FFS07.G18
8	3.5 x 10"	5.25	8.25	18.5	RFS08.G18	FFS08.G18
9	3.5 x 10"	5.25	8.25	18.5	RFS09.G18	FFS09.G18
10	3.5 x 10"	5.25	8.25	18.5	RFS10.G18	FFS10.G18