

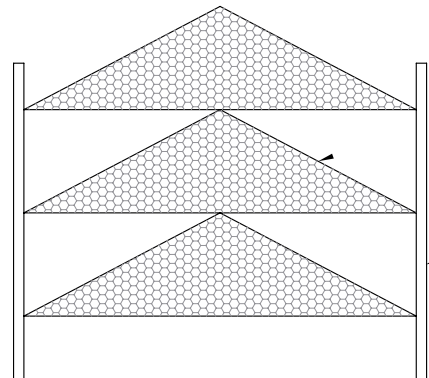
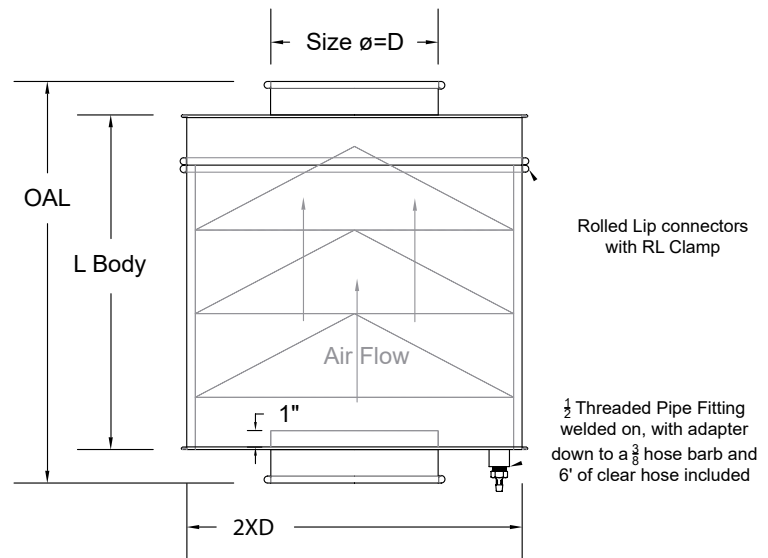


Oil Mist Accumulator

- Material Types: Carbon Steel, Stainless Steel, and Galvanized
- Connection Type: Rolled Lip and Flange options

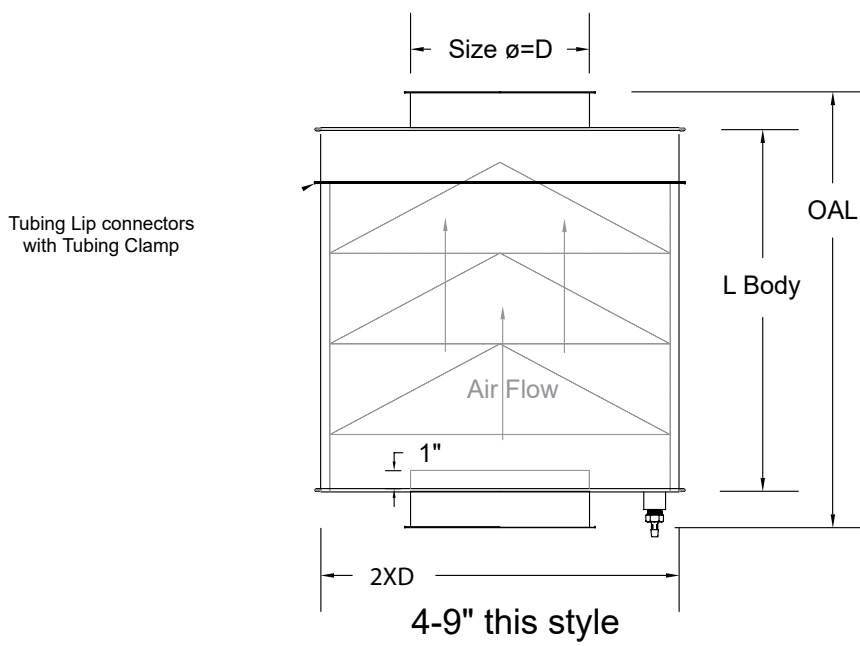
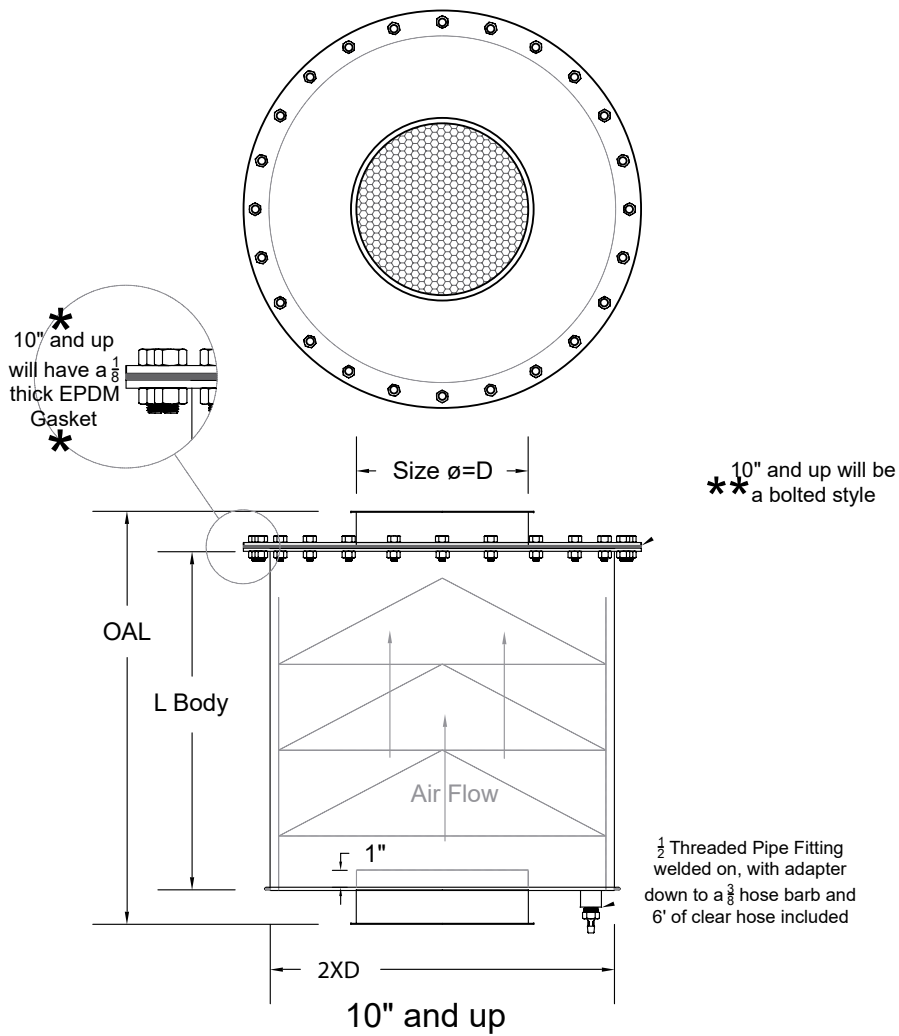


Size \varnothing	L-Body	OAL
4"	8"	12"
5"	10"	14"
6"	12"	16"
7"	14"	18"
8"	16"	20"
9"	18"	22"
10"	20"	24"
11"	22"	26"
12"	24"	28"



PERFORATED METAL,
Carbon Steel, Cold Rolled,
18 Gauge (.0478" Thick),
5/32" Round Holes on 3/16"
Staggered Centers, 63%
Open Area

with $\frac{1}{2}$ sq. bar as support
TYP3-4x





Oil Mist Curb

- Available with Rolled Lip, Vanstone Lip, and Angle Rings
- Material types: Galvanized and Stainless Steel

