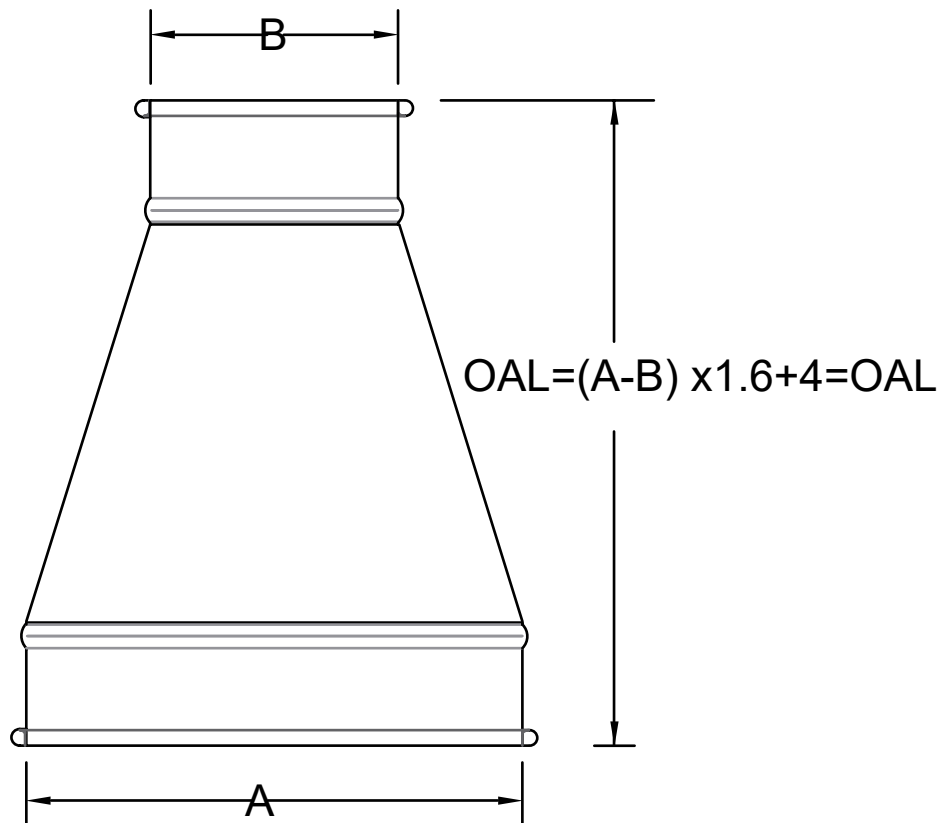




Reducer

- Available in Galvanized, Stainless Steel, and Carbon Steel
- Sizing: Rolled Lip 3-24'. Angle Ring ends 3-74', and in Nominal Ends



Minimum height of 8" on reducers of 1" differences
(5" to 6"=8" long)