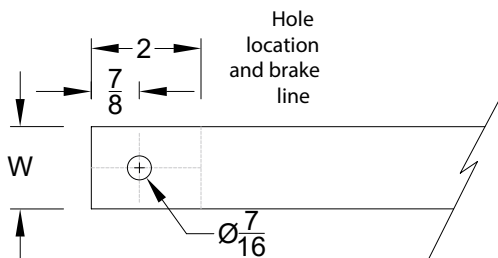
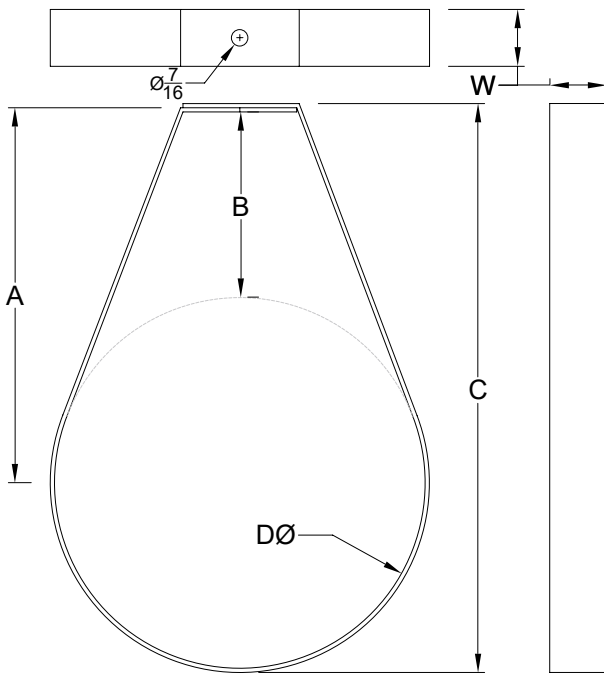




Tear-Drop Hanger

A teardrop style hanger offers stability and ease of installation with only one connection point. The tear-drop design makes installing and hanging a variety of duct simple. No hanging hardware supplied with hanger.



Tear-Drop Hanger						
Size ϕ	A	B	C	D	W	Flat Cut length
3	5	3.5	6.5	3	1 x 3/16	18.75
4	5.5	3.5	7.5	4	1 x 3/16	21.5
5	6	3.5	8.5	5	1 x 3/16	24.25
6	6.5	3.5	9.5	6	1 x 3/16	27
7	8.5	5	12	7	1.5 x 3/16	32.75
8	9	5	13	8	1.5 x 3/16	35.5
9	9.5	5	14	9	1.5 x 3/16	38.5
10	10	5	15	10	1.5 x 3/16	41.375
11	10.5	5	16	11	1.5 x 3/16	44.25
12	13	7	19	12	2 x 3/16	50.875
13	13.5	7	20	13	2 x 3/16	53.75
14	14	7	21	14	2 x 3/16	56.625
15	14.5	7	22	15	2 x 3/16	59.5
16	15	7	23	16	2 x 3/16	62.5
17	15.5	7	24	17	2 x 3/16	65.5
18	16	7	25	18	2 x 3/16	68.5
19	16.5	7	26	19	2 x 3/16	71.375
20	17	7	27	20	2 x 3/16	74.325
22	18	7	29	22	2 x 3/16	80.375
24	19	7	31	24	2 x 3/16	86.325