

The Legend APC Industrial Rotary Airlock is built with rugged steel for years of service. Used to discharge metered dust and material while maintaining the static pressure differential inside a dust collector or cyclone. Available in multiple inlet sizes.



LEGEND

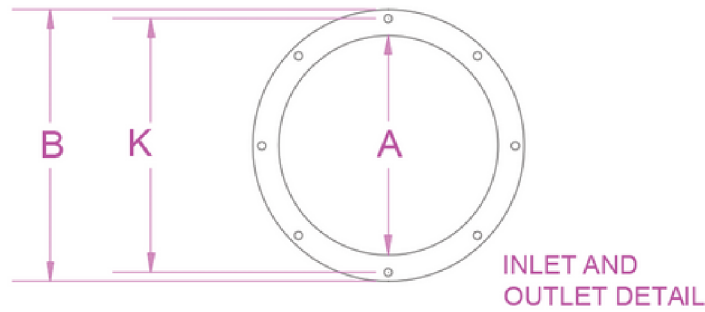
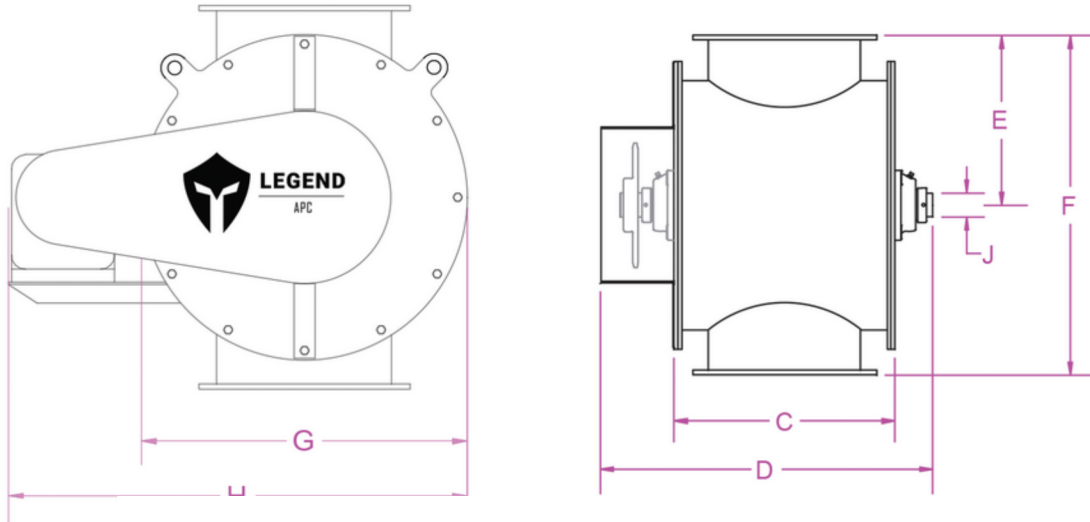
APC

Industrial Rotary Airlock

Features & Technical Data

- $3/8$ " steel sidewalls
- Heavy-duty, 10-gauge steel body
- $1\ 15/16$ " steel shaft
- 2 HP motor
- 230/460 voltage
- Available in four sizes to fit most openings
- 4-6 durable rubber sweeps for sealing





Rotary Airlock																
A=Size	B	C	D	E	F	G	H	J	K		Motor HP	Voltage	No. of Vanes	RPM	Cubic Ft. / Rev	WT
									Bolt Hole Ctr	# of holes						
*8"	10 1/8	14	23 1/8	13 5/8	*30 3/4	23	33 1/4	1 15/16	9 9/16	6 @ 7/16	2	230/460	4	28	1.85	400 lb.
10"	13 1/8	14	23 1/8	13 5/8	27 1/4	23	33 1/4	1 15/16	11 13/16	6 @ 7/16	2	230/460	4	28	1.85	400 lb.
12"	15 1/8	16	24 3/8	13 5/8	27 1/4	23	33 1/4	1 15/16	14	6 @ 7/16	2	230/460	4	28	2.75	410 lb.
14"	17 1/8	18	26 7/8	13 5/8	27 1/4	23	33 1/4	1 15/16	16	6 @ 7/16	2	230/460	6	28	3	470 lb.

*Special note on the 8", it will have flange to flange adapters on a 10" air lock.